

TAMPER RESISTANT SUBSTATION



when communication is **critical**

FEATURES

- Two large buttons for instant contact to freely programmable extension numbers or features
- Extremely rugged 1/4" machined metal front plate
- No-penetration speaker grille. Protected micro phone and amplifier
- Built-in 45 Ohm loudspeaker
- Excellent sensitivity and voice reproduction
- Adjustable microphone sensitivity
- Red "microphone open" LED
- Screw terminals for easy connection of installation cables
- Securely fastened front plate with tamper-resistant screws



DESCRIPTION

This Tamper Resistant Substation has an extremely rugged metal front plate of anodized, brushed aluminium. The substation has a unique design to protect the loudspeaker, microphone, LED indicator and internal electronics from external abuse. The station flush-mounts on a back box. The metal front plate can be securely fastened to the box with 4mm tamper-resistant screws (provided) or pop rivets.

Both buttons can be programmed to call any extension number or feature - including Emergency Calls, All Calls - or call queuing to a STENTOFON Control Room Master (CRM), MLH, or Call Handler System. The upper button is marked "Mus", as audio program distribution is often used. The station has a built-in 45 Ohm loudspeaker. With a potentiometer located inside the casing, it is possible to adjust the microphone sensitivity according to the environmental conditions. The station has screw terminals with labels ensuring easy installation.

SPECIFICATIONS

Operating Voltage	Powered from exchange
Cable Requirements	2 pair 0.5 mm ² / 24 AWG twisted cable
Temperature Range	+10° C to +40° C, -+50° F to +104° F
Non-Condensing Humidity Range	10% - 85% RH
Dimensions: (H x W x D)	140 x 190 x 63 mm, 5.5" x 7.5" x 2.5"
Weight	1 kg / 2.2 lb
Finish	Frontplate: 1/4" machined, anodized brushed aluminium
Max. Loudspeaker Output	1.4 W / 45 Ohm
Loudspeaker Impedance	45 ohm
Frequency Range	300 - 5000 Hz (±15 dB)

sales@ringuk.com

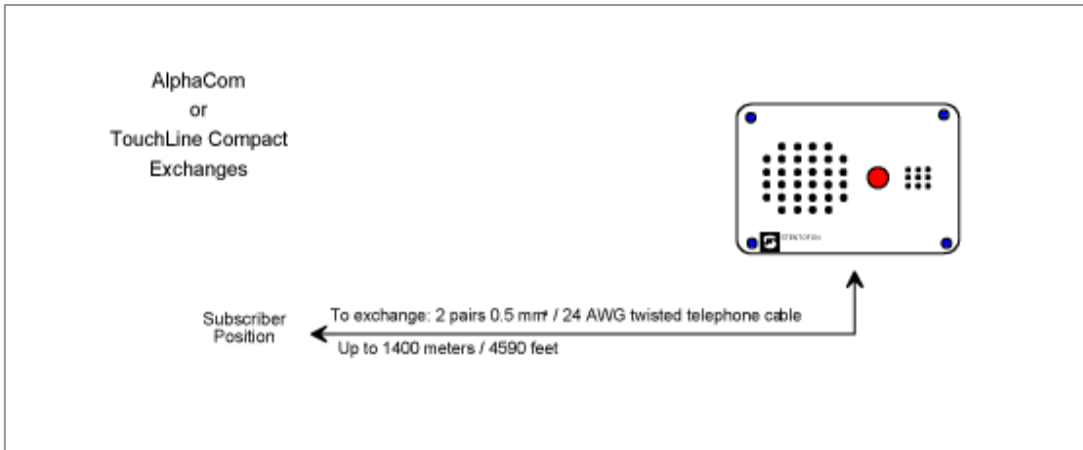
01353 865568

ORDER NUMBER	DESCRIPTION	SHIP WEIGHT
1070601020	TamperResistant Substation withCall-in buttons (to call second master or music distribution)	1.15 kg / 2.53 lb
Supplementary equipment:		
1000629700	FlushMountBack Box (4 mm screw threading)	0.7 kg / 1.5 lb
1000629800	Surface mount back box	

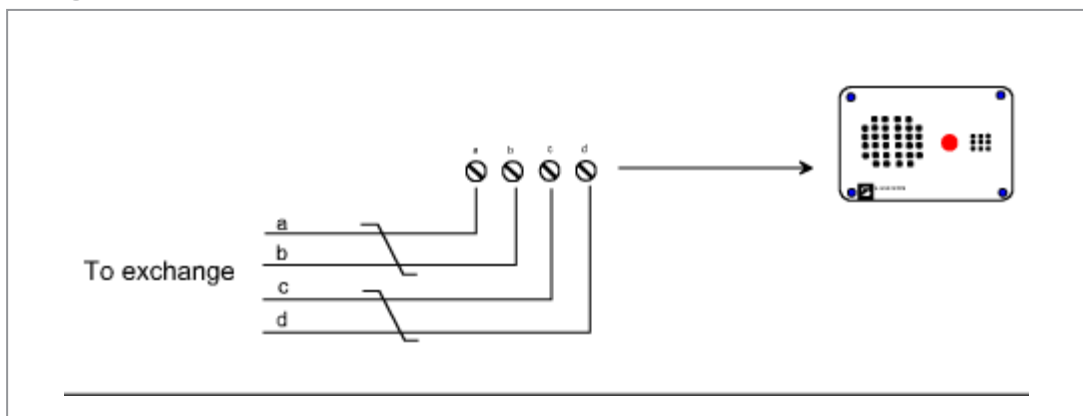
TAMPER RESISTANT SUBSTATION

SoundPressure at 1mInternal Loudspeaker	68 dB (0.5 mm cable x 100 m, 2.5 V, on subscriber board, 1 kHz)
Connector Type	Screw terminals
Indicator	LED (red)

Installation



Wiring



ORDINE NUMERO

1070601020

DOC. NR.

A100K10586 v.2.0

sales@ringuk.com

